

# MAVERICK

RACING EXHAUST FROM SUZUKA

## MAVERICK Titanium Cup Series TUMBLER PREMIUM

Household  
utensils

# User's Manual

Manufacturer **Craft Armadillo Co.,Ltd.**

Thank you for purchasing our product "MAVERICK TUMBLER"

This product is an all-titanium tumbler, manufactured with precision using the precise processing technology, which is used for manufacturing racing parts of the motor bikes. This product is carefully made by hand in pursuit of ease of grip and drinking. Enjoy its trace of weld and beautiful color created by scorching.

For your own safety, read this user manual carefully before using this product.

- This can be used for any type of drinks/beverages such as beer, coffee, juice, etc.,
- Since this is a dual-use manufactured product, it is excellent in insulation efficiency for both hot and cold beverages, maintaining the desired temperature longer in either case.

**Caution** May cause personal injury or property damage

- Do not heat in a microwave oven or over direct flame.
- Do not drop or impact strong shock.
- Be careful while handling hot items, as you may burn yourself.
- Refrain from using for purposes other than those mentioned in this manual.



### Preparation for use

- Take the product out of the box and check for burrs or holes.
- Before using the product for the first time, wash it with a soft sponge and diluted dishwashing liquid.

- The following symbols are used throughout this manual:  
Indicates a potential risk of personal injury or property damage ..... ⚠  
Indicates that a specific action is prohibited .... ⓧ  
Indicates an item to be read carefully ..... ⓘ
- Keep this manual in a safe place, as it can be used as your certificate of warranty also.
- Ensure that this manual is passed on when you transfer or lend the product to a third party.
- For further assistance, contact the store where you have purchased the item or our company (mentioned on the back cover).

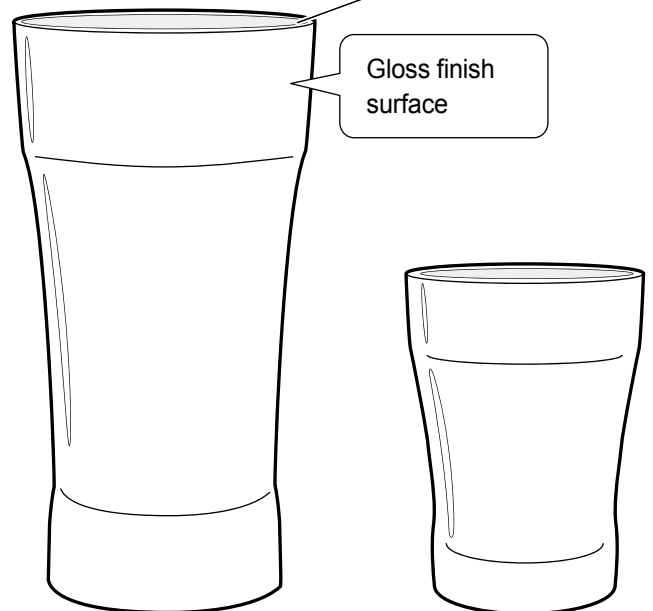
### Warranty period: 1 year

The warranty period of this product is 1 year. For further details, check the warranty policy given at the back cover.

### Name of each part

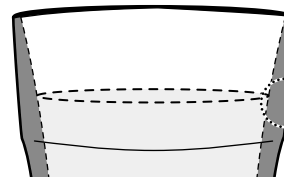
<Product>

Lip of the container



<Premium>

<Mini>



Since this is a dual-use manufactured product, it is excellent in insulation efficiency for both heat and cold beverages.

**View the manual from QR tag!  
Use the latest application.**

- The latest GS1QR cord is used here to give new information for safety.  
Download the dedicated application (free) from a link below.
- Be sure to check whether you can view the instruction manual with the new application at the start of use.

App Store



Google Play



<GS1QR>

## ■How to use

Fill the Maverick tumbler to no more than 3 centimeters or 1 inch below the brim.



- Do not leave the product unwashed after use.
- Do not leave the product sitting with beverage inside for a prolonged period. It may lead to mold or deformation.

## ■Maintenance

1. Rinse with diluted dishwashing liquid, then water as soon as possible after use.



Do not use abrasive cleanser, steel wool, or a hard sponge for cleaning. They may scratch the surface.



2. Use bleach for persistent stains like tea incrustation.

3. After washing, dry it well with a soft, dry cloth.

4. Dry it completely then store it in a place where it will not be exposed to direct sunlight.

5. If you will store it for a prolonged period, wrap it in a soft cloth and place them in the wooden box for storage.

\* The product can be washed in a dishwasher.

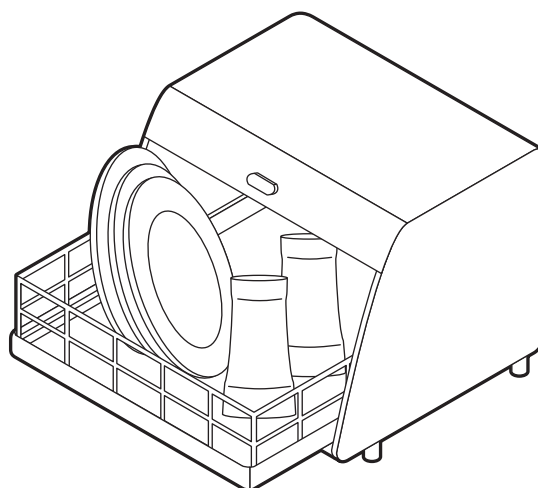
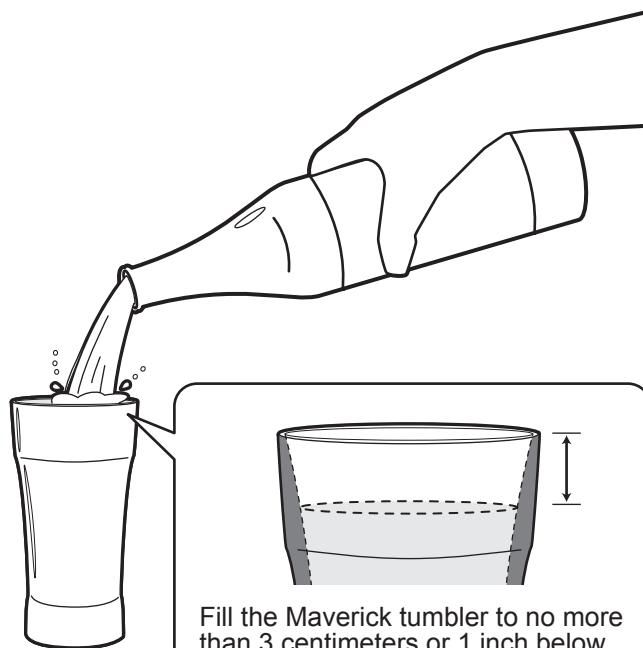
(Verified by our company)

Read the user's manual of the dishwasher carefully before use.

## ■Troubleshooting

Q: The surface shows fingerprints or oily smudges.

A: Wash it with neutral detergent, or wipe it with a cloth that does not scratch the surface, like cloth used for cleaning eyeglasses.



Check that your dishwasher can be used with the product before use.



If the product is in bad condition, consult our company or your dealer.

## Warranty rules

These products under proper use can be repaired or exchanged free of charge within 1 year after purchase, except in the cases listed below.

- (1) Caused by usage that is prohibited or not described in this manual.
- (2) Caused by an external factor such as fire, earthquake, flood, or accident.
- (3) Caused by being dropped after purchase or damage during transportation.
- (4) Damage by use such as a scratch or deterioration of appearance.
- (5) Such a case beyond our responsibility that is connected to the products having been resold by a recycler or secondhand dealer.
- (6) Any case of use in countries other than Japan.
- (7) Caused by repair by any renovator other than our company or one specified by our company.
- (8) When this user manual is not presented.
- (9) Consumable material: ex. wooden box for storage

## ■Specifications

|                  |                        |             |
|------------------|------------------------|-------------|
| Name of product: | Maverick tumbler       |             |
| Intended use:    | Container for drinking |             |
| Material:        | Body: Titanium         |             |
|                  | Premium                | Mini        |
| Size(mm):        | 80(dia)×150            | 80(dia)×110 |
| Capacity(cc):    | 280                    | 170         |
| Weight(g):       | 280                    | 200         |
| Made in          | Japan                  |             |

\* Specifications are subject to change without notice.

Manufacturer **Craft Armadillo Co.,Ltd.**

Postal code: 513-0836 Koucho 7669-57, Suzuka City, Mie Prefecture

TEL: 059-370-6607 FAX: 059-370-7002

e-mail: info@craft-armadillo.com URL: http://www.craft-armadillo.com